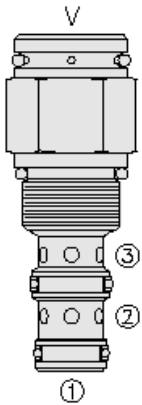




## Overview



### Description

The PD10-34 is a screw-in, cartridge style, pilot operated, spool-type, normally closed hydraulic directional valve.

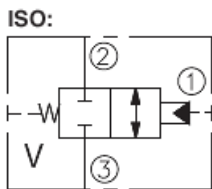
### Operation

In neutral position the valve blocks flow from port 2 to 3. The spring chamber is vented to atmosphere "v" which is internally o-ring sealed from the cartridge flow paths. On remote pilot signal at port 1, the valve's spool shifts to allow flow from port 2 to 3 bidirectionally. Because of the vented spring chamber, the cartridge may be fully pressurized at any port without affecting required pilot pressure.

### Features

- External vent-to-atmosphere.
- Range of bias springs available.
- Sealed spool option for bias spring options 110, 130 and 170.
- Hardened spool and cage for long life.
- Industry common cavity.

### Symbol



## Ratings

### Pressure Ratings

Pressure rating 241 bar (3500 psi)

### Temperature Ratings

Operating fluid temperature -40 to 120 °C (-40 to 248 °F)

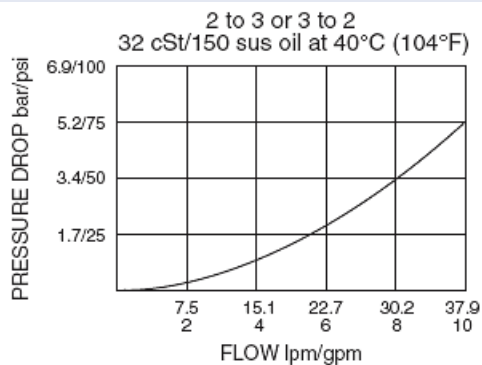
### Flow Ratings

Maximum internal leakage 82 ml/min (5 in<sup>3</sup>/min) - **Note:** From port 1 to 2 and from port 2 to 3 at 207 bar (3000 psi)  
0 lpm (0 gpm) - **Note:** From port 1 to 2 with sealed spool

## Properties

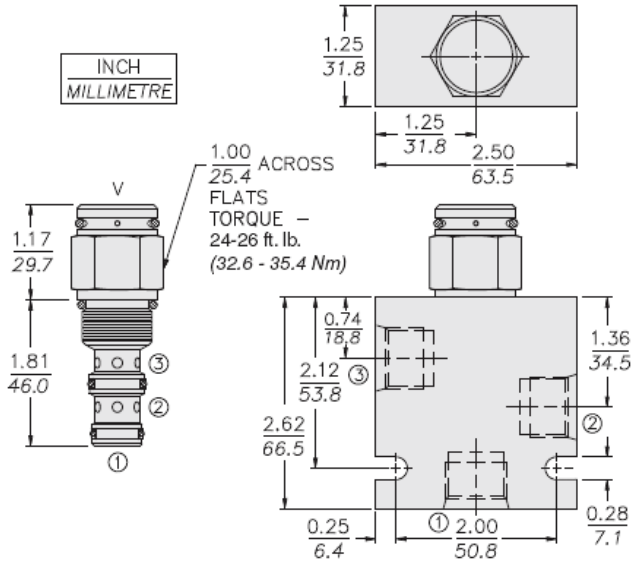
Materials steel with work surfaces hardened. External surfaces are zinc plated  
Unit weight 0.15 kg (0.34 lb)

## Performance





## Dimensions



## Installation Specifications

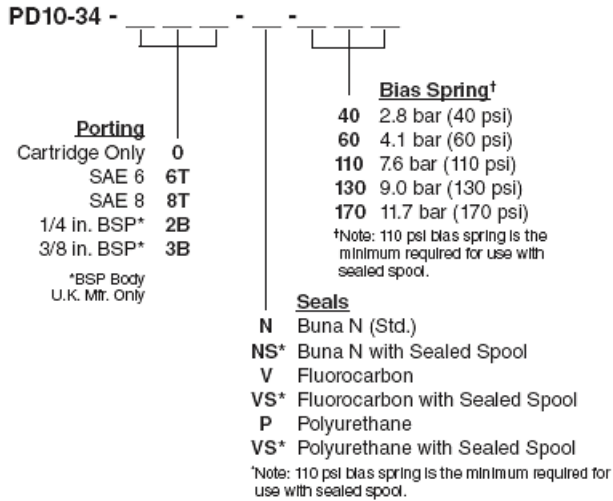
|                               |                                   |
|-------------------------------|-----------------------------------|
| Cavity                        | VC10-3                            |
| Cartridge installation torque | 32.6 to 35.4 N-m (24 to 26 ft-lb) |

## Accessories

|          |            |                             |
|----------|------------|-----------------------------|
| Seal kit | SK10-3N-MM | - <b>Note:</b> Buna N       |
|          | SK10-3V-MM | - <b>Note:</b> Viton        |
|          | SK10-3P-MM | - <b>Note:</b> Polyurethane |



Order Code



Model Options

PD10-34-H-J-R

H Line Body

| CODE | DESCRIPTION                |
|------|----------------------------|
| 0    | No Body                    |
| 6T   | Aluminum SAE 6             |
| 8T   | Aluminum SAE 8             |
| 6TD  | Ductile Iron SAE 6         |
| 8TD  | Ductile Iron SAE 8         |
| 3B   | Aluminum BSPP 3/8" (3)     |
| 3BD  | Ductile Iron BSPP 3/8" (3) |

J Seal

| CODE | DESCRIPTION                       |
|------|-----------------------------------|
| N    | Buna-N                            |
| NS   | Buna-N with a Sealed Spool        |
| V    | Fluorocarbon                      |
| VS   | Fluorocarbon with a Sealed Spool  |
| P    | Polyurethane                      |
| PS   | Polyurethane with a Sealed Spool  |
| U    | PPDI Urethane                     |
| US   | PPDI Urethane with a Sealed Spool |

R Spring

| CODE | DESCRIPTION         |
|------|---------------------|
| 40   | 40 psi Bias Spring  |
| 60   | 60 psi Bias Spring  |
| 110  | 110 psi Bias Spring |
| 130  | 130 psi Bias Spring |
| 170  | 170 psi Bias Spring |